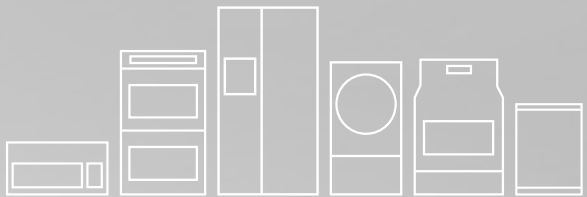


# FRIGIDAIRE

All about the

# Use & Care

of your Freezer



## TABLE OF CONTENTS

Product Registration.....	2	Setting the Temperature Control.....	7
Important Safety Instructions.....	2	Care and Cleaning.....	7
Feature Diagram.....	4	Power/Freezer Failure.....	8
Optional Features.....	4	Before You Call.....	9
First Steps.....	5	Major Appliance Warranty.....	12
Energy-Saving Tips.....	7		

## PRODUCT REGISTRATION

## IMPORTANT SAFETY INSTRUCTIONS

### Read and Save These Instructions

This Use & Care Guide provides specific operating instructions for your model. Use your appliance only as instructed in this guide. These instructions are not meant to cover every possible condition and situation that may occur. Common sense and caution must be practiced when installing, operating, and maintaining any appliance.

### Record Your Model and Serial Numbers

Record the model and serial numbers in the space provided below.

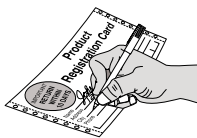
**Model Number:** \_\_\_\_\_

**Serial Number:** \_\_\_\_\_

**Purchase Date:** \_\_\_\_\_

### Register Your Product

The self-addressed **PRODUCT REGISTRATION CARD** should be filled in completely, signed and returned to the address provided.



### CAUTION

CAUTION indicates a potentially hazardous situation which, if not avoided, may result in minor or moderate injury.



### IMPORTANT

IMPORTANT indicates installation, operation or maintenance information which is important but not hazard-related.



### WARNING

#### For Your Safety

- Do not store or use gasoline or other flammable vapors and liquids in the vicinity of this unit or any other appliance. Read product labels for flammability and other warnings.
- Do not operate the unit in the presence of explosive fumes.
- Remove and discard any spacers used to secure the internal features during shipping. Small objects are a choke hazard to children.
- Remove all staples from the carton. Staples can cause severe cuts, and also destroy finishes if they come in contact with other appliances or furniture.



### WARNING

#### Child Safety


- Destroy carton, plastic bags, and any exterior wrapping material immediately after the unit is unpacked. Children should never use these items for play. Cartons covered with rugs, bedspreads, plastic sheets or stretch wrap may become airtight chambers and can quickly cause suffocation.
- An empty, discarded appliance is a very dangerous attraction to children.
- Remove the door(s) of any appliance that is not in use, even if it is being discarded.



### WARNING

Please read all instructions before using this unit.

### Definitions

 This is the safety alert symbol. It is used to alert you to potential personal injury hazards. Obey all safety messages that follow this symbol to avoid possible injury or death.



### DANGER

DANGER indicates an imminently hazardous situation which, if not avoided, will result in death or serious injury.



### WARNING

WARNING indicates a potentially hazardous situation which, if not avoided, could result in death or serious injury.

# IMPORTANT SAFETY INSTRUCTIONS



## WARNING

### Proper Disposal of Your Appliance

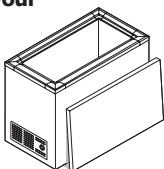
#### Risk of child entrapment

Child entrapment and suffocation are not problems of the past. Junked or abandoned appliances are still dangerous – even if they will sit for “just a few days”. If you are getting rid of your old appliance, please follow the instructions below to help prevent accidents.

We strongly encourage responsible appliance recycling/disposal methods. Check with your utility company or visit [www.recyclemyoldfridge.com](http://www.recyclemyoldfridge.com) for more information on recycling your old appliance.

#### Before you throw away your old appliance:

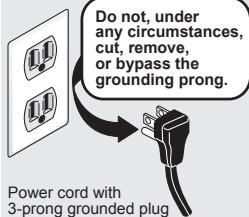
- Remove lid.
- Have the refrigerant removed by a qualified service technician.



## WARNING

Avoid fire hazard or electric shock. Do not use an extension cord or an adapter plug. Do not remove any prong from power cord.

Grounding type wall receptacle



## WARNING

### Electrical Information

These guidelines must be followed to ensure that safety mechanisms in the design of this freezer will operate properly.

- Refer to the serial plate for correct electrical rating. The power cord of the freezer is equipped with a three-prong grounding plug for your protection against electrical shock hazards. It must be plugged directly into a properly grounded three-prong receptacle, protected with a 15-amp time delay fuse or circuit breaker. The receptacle must be installed in accordance with the local codes and ordinances. Consult a qualified electrician. Receptacles protected by Ground Fault Circuit Interrupters (GFCI) are NOT RECOMMENDED. Do not use an extension cord or ungrounded (two prong) adapter.
- If the power cord is damaged, it should be replaced by an authorized service technician to prevent any risk.
- Never unplug the freezer by pulling on the power cord. Always grip the plug firmly, and pull straight out from the receptacle to prevent damaging the power cord.
- Unplug the freezer before cleaning and before defrosting to avoid electrical shock.
- If voltage varies by 10% or more, freezer performance may be affected. Operating the unit with insufficient power can damage the motor. Such damage is not covered under the warranty. If you suspect your household voltage is high or low, consult your power company for testing.
- To prevent the freezer from being turned off accidentally, do not plug unit into an outlet controlled by a wall switch or pull cord.
- Do not pinch, knot, or bend power cord in any manner.

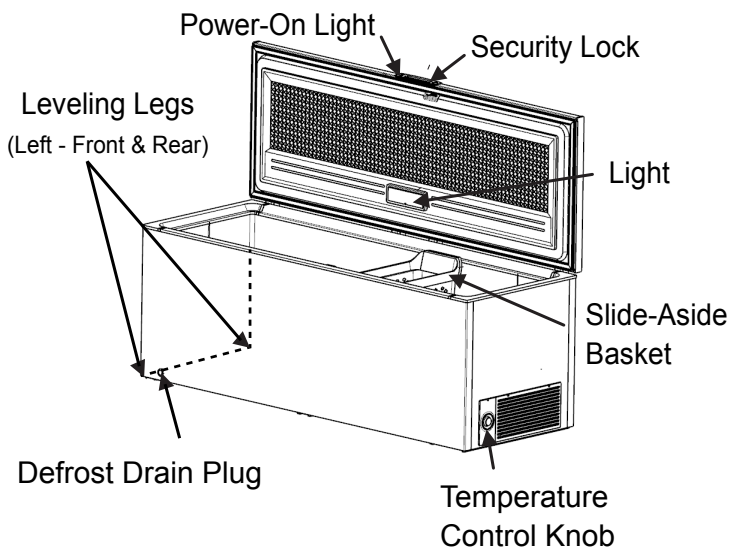


## WARNING

### Other Precautions

- To defrost freezer, always unplug unit first.
- Never unplug the unit by pulling on the power cord. Always grip the plug firmly and pull straight out from the receptacle.
- Turning the temperature control to OFF turns off the compressor, but does not disconnect power to other electrical components.

## FEATURE DIAGRAM



## OPTIONAL FEATURES

### Slide-Aside Basket

This basket helps organize odd-shaped items. To reach other packages in the freezer, slide the basket aside or lift out.

### Defrost Drain

The defrost drain provides a method of draining the water during defrosting and cleaning. See "Defrosting" in **Care and Cleaning** section.

### LED Lighting

The freezer features maintenance-free LED lighting. To replace, contact an authorized service technician.

### Power On Light

The green Power On light indicates that the freezer is properly connected to electrical power. The light glows even when the temperature control is turned OFF. If the light goes out, refer to "**LIGHT IS NOT ON**" in the **BEFORE YOU CALL** section of this Use & Care Guide.

### Security Lock with Pop-Out Key

The Security Lock feature fastens the lid snugly, ensuring the stored food is secure. To lock or unlock the freezer, push the key into the lock and turn. The key pops out of the lock after it has been turned.

This Use & Care Guide provides general operating instructions for your model. Use the unit only as instructed in this Use & Care Guide. **Before starting the unit, follow these important first steps.**

## Location

Choose a location with a grounded electrical outlet – avoid using any Ground Fault Circuit Interrupter (GFCI) outlets.

**Do not** use an extension cord or ungrounded (two prong) adapter. At the rear of the freezer, pull power cord straight out of the protective shipping enclosure and unwind enough of the power cord to plug into the electrical outlet.

For the most efficient operation, the freezer should be located where surrounding temperatures will not exceed 110°F (43°C). Temperatures of 32°F (0°C) and below will NOT affect operation. Additional compressor heaters are not recommended.

Allow space around the unit for good air circulation. Leave a 3 inch (75 mm) space on all sides of the unit for adequate circulation.

### NOTE

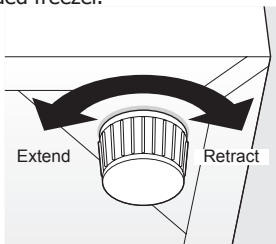
The exterior walls of the freezer may become quite warm as the compressor works to transfer heat from the inside. Temperatures as high as 30°F warmer than room temperature can be expected. For this reason it is particularly important in hotter climates to allow enough space for air circulation around your unit.

## Leveling (optional)

### NOTE

It is **VERY IMPORTANT** for your freezer to be level in order to function properly. If the unit is not leveled during installation, the lid may be misaligned and not close or seal properly, causing cooling, frost, or moisture problems.

Use the leveling legs (located on the left side, front and rear) to ensure that all 4 corners of the freezer are resting firmly on a solid floor. Turn the leveling legs clockwise to retract the legs and counterclockwise to extend the legs. Ensure the floor is strong enough to support a fully loaded freezer.



## Caster Installation (optional)

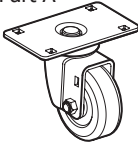
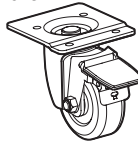
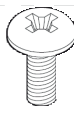
### WARNING

Unplug the unit from power source and empty contents before caster installation. Lock and secure lid to prevent opening during caster installation.

The appliance comes with a caster installation kit shipped in basket of chest freezer. The casters allow ease of moving the unit to its final location. The casters can be then be locked into place.

**Required Tool:** Phillips head screwdriver

### Caster Kit contents:

<b>Part A</b> 	2 Casters without brakes (13/15 cu. ft.)
	4 Casters without brakes (20/25 cu. ft.)
<b>Part B</b> 	2 Casters with brakes (13/15 cu. ft.)
	2 Casters with brakes (20/25 cu. ft.)
	16 screws (13/15 cu. ft.)
	24 screws (20/25 cu. ft.)

### To install the casters:

1. Move freezer to a work area that provides sufficient clearance on all 4 sides to allow easy handling and access to the freezer.
2. Cover the floor area behind the freezer with a protective material to prevent damage while it is resting on its back during the caster installation.

### CAUTION

Two or more people are required to rotate and tilt the freezer on its back, allowing accessibility to all sides.

## FIRST STEPS

- Remove the adjustable leveling legs already installed on the freezer by unscrewing counterclockwise, as they are not required when using casters.
- Caster installation for the 13/15 cu. ft. freezer:** Remove casters and screws from the caster kit. The Part A casters are installed on the right front and rear compressor side of the unit. The Part B casters are installed on the left front and rear of the unit (with brake lever facing outside). Align the caster holes with the corresponding screw holes in the mounting locations. See figure 1.
- Wait a minimum of 2 hours before connecting the freezer to an AC power source. Avoid using a Ground Fault Circuit Interrupter (GFCI) outlet. Do not use an extension cord.
- Install contents to the freezer storage compartment when operating temperature is reached.

### WARNING

Castors with brakes are to stop chest freezer movement on level ground only. They are not intended to prevent movement on an uneven or sloping floor.

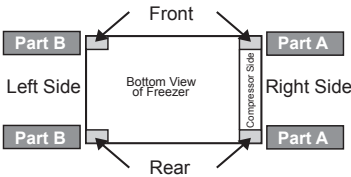


Figure 1

- Caster installation for the 20/25 cu. ft. freezer:** Remove casters and screws from the caster kit. Part A casters are installed on the right front and rear compressor side and middle front and rear of the unit. Part B casters are installed on the left front and rear of the unit (with brake lever facing outside of unit). Line up the caster holes with the corresponding screw holes in the mounting locations. See Figure 2.

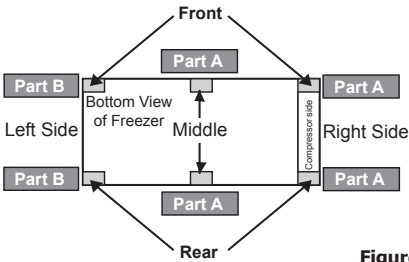


Figure 2

- After casters are installed, with the help of an assistant, carefully lift and rotate the freezer to its upright position. Move the freezer to the desired location, and engage brakes on the 2 left casters.

### Cleaning

- Wash any removable parts of the freezer interior and exterior with mild detergent and warm water. Wipe dry. **DO NOT USE HARSH CLEANERS ON THESE SURFACES.**
- Do not use razor blades or other sharp instruments which can scratch the freezer surface when removing adhesive labels. Any glue left from the tape can be removed with a mixture of warm water and mild detergent or the residue can be touched with the sticky side of tape already removed. **DO NOT REMOVE THE SERIAL PLATE.**

## ENERGY-SAVING TIPS

## SETTING THE TEMPERATURE CONTROL



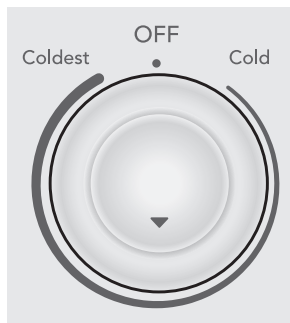
- The freezer should be located in the coolest area of the room, away from heat producing appliances or heating ducts, and out of direct sunlight.

• Let hot foods cool to room temperature before placing in the unit. Overloading the freezer forces the compressor to run longer. Foods that freeze too slowly may lose quality or spoil.

- Be sure to wrap foods properly and wipe containers dry before placing them in the unit. This cuts down on frost build-up inside the freezer.
- Organize and label food to reduce lid openings and extended searches. Remove as many items as needed at one time, and close lid as soon as possible.

### Temperature Control

The temperature control is located on the right outside wall. The temperature is factory preset to provide satisfactory food storage temperatures. The temperature control is adjustable to provide a range of temperatures for your personal satisfaction. If a colder temperature is desired, turn the temperature control knob toward COLDEST and allow 24 hours for temperatures to stabilize between adjustments.



## SETTING THE TEMPERATURE CONTROL

### Cool Down Period

- For safe food storage, allow 4 hours for the freezer to cool down completely. The unit will run continuously for the first several hours. Foods that are already frozen may be placed in the unit after the first few hours of operation. Unfrozen foods should **NOT** be loaded into the freezer until the unit has operated for 4 hours.
- When loading the unit, freeze only 3 pounds of fresh food per cubic foot of freezer space at one time. Distribute packages to be frozen evenly throughout the freezer. It is not necessary to turn temperature control knob to a colder setting while freezing food.

## CARE AND CLEANING



### CAUTION

Damp objects stick to cold metal surfaces. Do not touch interior metal surfaces with wet or damp hands.

### Between Defrostings

To avoid frequent defrosting, occasionally use a plastic scraper to remove frost. Scrape with a pulling motion. Never use a metal instrument to remove frost.



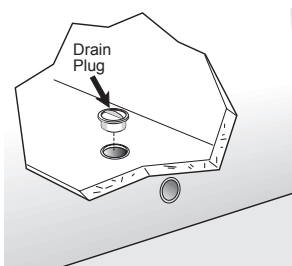
### CAUTION

Freezer must be unplugged (to avoid electrical hazard) from power source when cleaning or defrosting unit.

### Defrosting

It is important to defrost and clean the freezer when  $\frac{1}{4}$  to  $\frac{1}{2}$  inch of frost has accumulated. Frost may tend to accumulate faster on the upper part of the unit due to warm, moist air entering the freezer when the door is opened. Remove food and leave the lid open when defrosting the unit.

If the frost is soft, remove it by using a plastic scraper. If the frost is glazed and hard, unscrew drain plug on floor of freezer, and unscrew outside drain plug located on the lower left front of the freezer. Place a shallow pan beneath the drain outlet to collect water. Check pan occasionally so water does not overflow. Replace the drain plugs once defrosting is completed.



### Cleaning the Inside

After defrosting, wash inside surfaces of the freezer with a solution of 2 tablespoons (25 grams) of baking soda in 1 quart (1.136 litres) warm water. Rinse and dry. Wring excess water out of the sponge or cloth when cleaning in the area of the controls, or any electrical parts.

Wash the removable parts with the baking soda solution mentioned above, or mild detergent and warm water. Rinse and dry. **Never** use metallic scouring pads, brushes, abrasive cleaners, or alkaline solutions on any surface. Do not wash removable parts in a dishwasher.

### Cleaning the Outside

Wash the cabinet with warm water and mild liquid detergent. Rinse well and wipe dry with a clean soft cloth. Replace parts and food.

### Vacation and Moving Tips

**Short Vacations:** Leave the unit operating during vacations of less than three weeks.



### WARNING

If leaving freezer lid open while on vacation, make certain that children cannot get into the unit and become entrapped.

**Long Vacations:** If the freezer will not be used for several months, remove all food and unplug the power cord. Clean and dry the interior thoroughly. To prevent odor and mold growth, leave the lid open slightly, blocking it open if necessary.

**Moving:** Disconnect the power cord plug from the wall outlet. Remove food, defrost, and then clean the unit. Secure all loose items, such as baskets, by taping them securely in place to prevent damage. In the moving vehicle, secure the freezer in an upright position, and secure to prevent movement. Also protect outside of the unit with a blanket, or similar item.

## POWER/FREEZER FAILURE



### NOTE

Do not open freezer lid unnecessarily if unit is off for several hours.

**If a power failure occurs,** frozen foods will stay frozen for at least 24 hours if the freezer is kept closed. If the power failure continues, pack 7 or 8 pounds of dry ice into the appliance every 24 hours. Look in the Yellow Pages under "Dry Ice," "Dairies," or "Ice Cream Manufacturers" for local dry ice suppliers. Always wear gloves and use caution when handling dry ice.

**If the freezer has stopped operating,** see **Freezer Does Not Run** in the **BEFORE YOU CALL** section of this Use & Care Guide. If you cannot solve the problem, call an authorized servicer immediately.



# BEFORE YOU CALL

**1-800-944-9044** (United States)  
**1-800-265-8352** (Canada)

Visit our web site at  
**www.frigidaire.com.**

Before calling for service, review this list. It may save you time and expense. This list includes common occurrences that are not the result of defective workmanship or materials in this appliance.

PROBLEM	CAUSE	CORRECTION
<b>FREEZER OPERATION</b>		
<b>Freezer does not run.</b>	<ul style="list-style-type: none"> <li>• Freezer is plugged into a circuit that has a ground fault interrupt.</li> <li>• Temperature Control is in the OFF position.</li> <li>• Freezer may not be plugged in or plug may be loose.</li> <li>• House fuse blown or tripped circuit breaker.</li> <li>• Power outage.</li> </ul>	<ul style="list-style-type: none"> <li>• Use another circuit. If you are unsure about the outlet, have it checked by a qualified electrician.</li> <li>• See Setting the Temperature Control section.</li> <li>• Ensure plug is tightly pushed into outlet.</li> <li>• Check/replace fuse with a 15-amp time delay fuse. Reset circuit breaker.</li> <li>• Check house lights. Call a qualified electrician.</li> </ul>
<b>Freezer runs too much or too long.</b>	<ul style="list-style-type: none"> <li>• Room or outside weather is hot.</li> <li>• Freezer has recently been disconnected for a period of time.</li> <li>• Large amounts of warm or hot food have been stored recently.</li> <li>• Lid is opened too frequently or too long.</li> <li>• Lid may be slightly open.</li> <li>• Temperature control is set too cold.</li> <li>• Gasket is dirty, worn, cracked, or poorly fitted.</li> </ul>	<ul style="list-style-type: none"> <li>• It's normal for the freezer to work longer under these conditions.</li> <li>• It takes 4 hours for the freezer to cool down completely.</li> <li>• Warm food will cause freezer to run more until the desired temperature is reached.</li> <li>• Warm air entering the freezer causes it to run more. Open door less often.</li> <li>• Ensure door is tightly closed.</li> <li>• Turn temperature control knob to a warmer setting. Allow several hours for the temperature to stabilize.</li> <li>• Clean or change gasket. Leaks in door seal will cause freezer to run longer in order to maintain desired temperatures.</li> </ul>
<b>FREEZER TEMPERATURES</b>		
<b>Interior temperature is too cold.</b>	<ul style="list-style-type: none"> <li>• The temperature is set too cold.</li> </ul>	<ul style="list-style-type: none"> <li>• Turn temperature control knob to a warmer setting. Allow several hours for the temperature to stabilize.</li> </ul>
<b>Interior temperature is too warm.</b>	<ul style="list-style-type: none"> <li>• Temperature Control is set too warm.</li> <li>• Lid is kept open too long or is opened too frequently.</li> <li>• Lid may not be seating properly.</li> <li>• Large amounts of warm or hot food may have been stored recently.</li> <li>• Freezer has recently been disconnected for a period of time.</li> </ul>	<ul style="list-style-type: none"> <li>• Turn temperature control knob to a colder setting. Allow several hours for the temperature to stabilize.</li> <li>• Warm air enters the freezer every time the lid is opened. Open the lid less often.</li> <li>• See "LID PROBLEMS" section.</li> <li>• Wait until the freezer has had a chance to reach its selected temperature.</li> <li>• Freezer requires 4 hours to cool down completely.</li> </ul>

## BEFORE YOU CALL

PROBLEM	CAUSE	CORRECTION
<b>External temperature is warm</b>	<ul style="list-style-type: none"> <li>• The external freezer walls can be as much as 30°F warmer than room temperature.</li> </ul>	<ul style="list-style-type: none"> <li>• This is normal while the compressor works to transfer heat from inside the freezer cabinet.</li> </ul>
<b>SOUND AND NOISE</b>		
<b>Louder sound levels when freezer is on.</b>	<ul style="list-style-type: none"> <li>• Modern freezers have increased storage capacity and more stable temperatures. They require a high efficiency compressor.</li> </ul>	<ul style="list-style-type: none"> <li>• This is normal. When the surrounding noise is low, you might hear the compressor running while it cools the interior.</li> </ul>
<b>Longer sound levels when compressor comes on.</b>	<ul style="list-style-type: none"> <li>• Freezer operates at higher pressures during the start of the ON cycle.</li> </ul>	<ul style="list-style-type: none"> <li>• This is normal. Sound will level off or disappear as the freezer continues to run.</li> </ul>
<b>Popping or cracking sound when compressor comes on.</b>	<ul style="list-style-type: none"> <li>• Metal parts undergo expansion and contraction, as in hot water pipes.</li> </ul>	<ul style="list-style-type: none"> <li>• This is normal. Sound will level off or disappear as the freezer continues to run.</li> </ul>
<b>Bubbling or gurgling sound, like water boiling.</b>	<ul style="list-style-type: none"> <li>• Refrigerant (used to cool the freezer) is circulating throughout the system.</li> </ul>	<ul style="list-style-type: none"> <li>• This is normal.</li> </ul>
<b>Vibrating or rattling noise.</b>	<ul style="list-style-type: none"> <li>• Freezer is not level. It rocks on the floor when it is moved slightly.</li> <li>• Floor is uneven or weak. Freezer rocks on floor when it is moved slightly.</li> <li>• Freezer is touching the wall.</li> </ul>	<ul style="list-style-type: none"> <li>• Level the unit. Refer to "Leveling" in the <b>INSTALLATION</b> section.</li> <li>• Ensure floor can adequately support the freezer. Use leveling legs to level the freezer.</li> <li>• Re-level or move the freezer slightly. Refer to "Leveling" in the <b>INSTALLATION</b> section.</li> </ul>
<b>WATER/MOISTURE/FROST INSIDE FREEZER</b>		
<b>Moisture forms on inside walls.</b>	<ul style="list-style-type: none"> <li>• Weather is hot and humid.</li> <li>• Lid may not be seating properly.</li> <li>• Lid is opened too often or too long.</li> </ul>	<ul style="list-style-type: none"> <li>• The rate of frost buildup and internal sweating increases. This is normal.</li> <li>• See "<b>LID PROBLEMS</b>".</li> <li>• Open lid less often.</li> </ul>
<b>ODOR IN FREEZER</b>		
<b>Odor in freezer.</b>	<ul style="list-style-type: none"> <li>• Interior needs to be cleaned.</li> <li>• Foods with strong odors are in the freezer.</li> </ul>	<ul style="list-style-type: none"> <li>• Clean interior with sponge, warm water, and baking soda.</li> <li>• Cover the food tightly.</li> </ul>

PROBLEM	CAUSE	CORRECTION
<b>LID PROBLEMS</b>		
<b>Lid will not close.</b>	<ul style="list-style-type: none"> <li>• Freezer is not level. It rocks on the floor when it is moved slightly.</li> <li>• Floor is uneven or weak. Freezer rocks on floor when it is moved slightly.</li> </ul>	<ul style="list-style-type: none"> <li>• This condition can force the cabinet out of square and misalign the lid. Refer to "Leveling" in the <b>INSTALLATION</b> section.</li> <li>• Level the freezer by using leveling legs or brace floor supporting the freezer.</li> </ul>
<b>LIGHT IS NOT ON</b>		
<b>Power Available Light is not on.</b>	<ul style="list-style-type: none"> <li>• LED may be burned out.</li> <li>• No electric current is reaching the freezer.</li> </ul>	<ul style="list-style-type: none"> <li>• Contact a qualified service technician.</li> <li>• See "Freezer does not run" in the <b>FREEZER OPERATION</b> section.</li> </ul>
<b>Freezer light not on.</b>	<ul style="list-style-type: none"> <li>• LED may be burned out.</li> <li>• No electric current is reaching the freezer.</li> </ul>	<ul style="list-style-type: none"> <li>• Contact a qualified service technician.</li> <li>• See "Freezer does not run" in the <b>FREEZER OPERATION</b> section.</li> </ul>

# MAJOR APPLIANCE WARRANTY

Your appliance is covered by a one year limited warranty. For one year from your original date of purchase, Electrolux will pay all costs for repairing or replacing any parts of this appliance that prove to be defective in materials or workmanship when such appliance is installed, used and maintained in accordance with the provided instructions.

## Exclusions

### This warranty does not cover the following:

1. Products with original serial numbers that have been removed, altered or cannot be readily determined.
2. Product that has been transferred from its original owner to another party or removed outside the USA or Canada.
3. Rust on the interior or exterior of the unit.
4. Products purchased "as-is" are not covered by this warranty.
5. Food loss due to any refrigerator or freezer failures.
6. Products used in a commercial setting.
7. Service calls which do not involve malfunction or defects in materials or workmanship, or for appliances not in ordinary household use or used other than in accordance with the provided instructions.
8. Service calls to correct the installation of your appliance or to instruct you how to use your appliance.
9. Expenses for making the appliance accessible for servicing, such as removal of trim, cupboards, shelves, etc., which are not a part of the appliance when it is shipped from the factory.
10. Service calls to repair or replace appliance light bulbs, air filters, water filters, other consumables, or knobs, handles, or other cosmetic parts.
11. Surcharges including, but not limited to, any after hour, weekend, or holiday service calls, tolls, ferry trip charges, or mileage expense for service calls to remote areas, including the state of Alaska.
12. Damages to the finish of appliance or home incurred during installation, including but not limited to floors, cabinets, walls, etc.
13. Damages caused by: services performed by unauthorized service companies; use of parts other than genuine Electrolux parts or parts obtained from persons other than authorized service companies; or external causes such as abuse, misuse, inadequate power supply, accidents, fires, or acts of God.

## DISCLAIMER OF IMPLIED WARRANTIES; LIMITATION OF REMEDIES

CUSTOMER'S SOLE AND EXCLUSIVE REMEDY UNDER THIS LIMITED WARRANTY SHALL BE PRODUCT REPAIR OR REPLACEMENT AS PROVIDED HEREIN. CLAIMS BASED ON IMPLIED WARRANTIES, INCLUDING WARRANTIES OF MERCHANTABILITY OR FITNESS FOR A PARTICULAR PURPOSE, ARE LIMITED TO ONE YEAR OR THE SHORTEST PERIOD ALLOWED BY LAW, BUT NOT LESS THAN ONE YEAR. ELECTROLUX SHALL NOT BE LIABLE FOR CONSEQUENTIAL OR INCIDENTAL DAMAGES SUCH AS PROPERTY DAMAGE AND INCIDENTAL EXPENSES RESULTING FROM ANY BREACH OF THIS WRITTEN LIMITED WARRANTY OR ANY IMPLIED WARRANTY. SOME STATES AND PROVINCES DO NOT ALLOW THE EXCLUSION OR LIMITATION OF INCIDENTAL OR CONSEQUENTIAL DAMAGES, OR LIMITATIONS ON THE DURATION OF IMPLIED WARRANTIES, SO THESE LIMITATIONS OR EXCLUSIONS MAY NOT APPLY TO YOU. THIS WRITTEN WARRANTY GIVES YOU SPECIFIC LEGAL RIGHTS. YOU MAY ALSO HAVE OTHER RIGHTS THAT VARY FROM STATE TO STATE.

## If You Need Service

Keep your receipt, delivery slip, or some other appropriate payment record to establish the warranty period should service be required. If service is performed, it is in your best interest to obtain and keep all receipts. Service under this warranty must be obtained by contacting Electrolux at the addresses or phone numbers below.

This warranty only applies in the USA and Canada. In the USA, your appliance is warranted by Electrolux Major Appliances North America, a division of Electrolux Home Products, Inc. In Canada, your appliance is warranted by Electrolux Canada Corp. Electrolux authorizes no person to change or add to any obligations under this warranty. Obligations for service and parts under this warranty must be performed by Electrolux or an authorized service company. Product features or specifications as described or illustrated are subject to change without notice.

**USA**  
**1.800.944.9044**  
Frigidaire  
10200 David Taylor Drive  
Charlotte, NC 28262



**Electrolux**

**Canada**  
**1.800.265.8352**  
Electrolux Canada Corp.  
5855 Terry Fox Way  
Mississauga, Ontario, Canada  
LSV 3E4